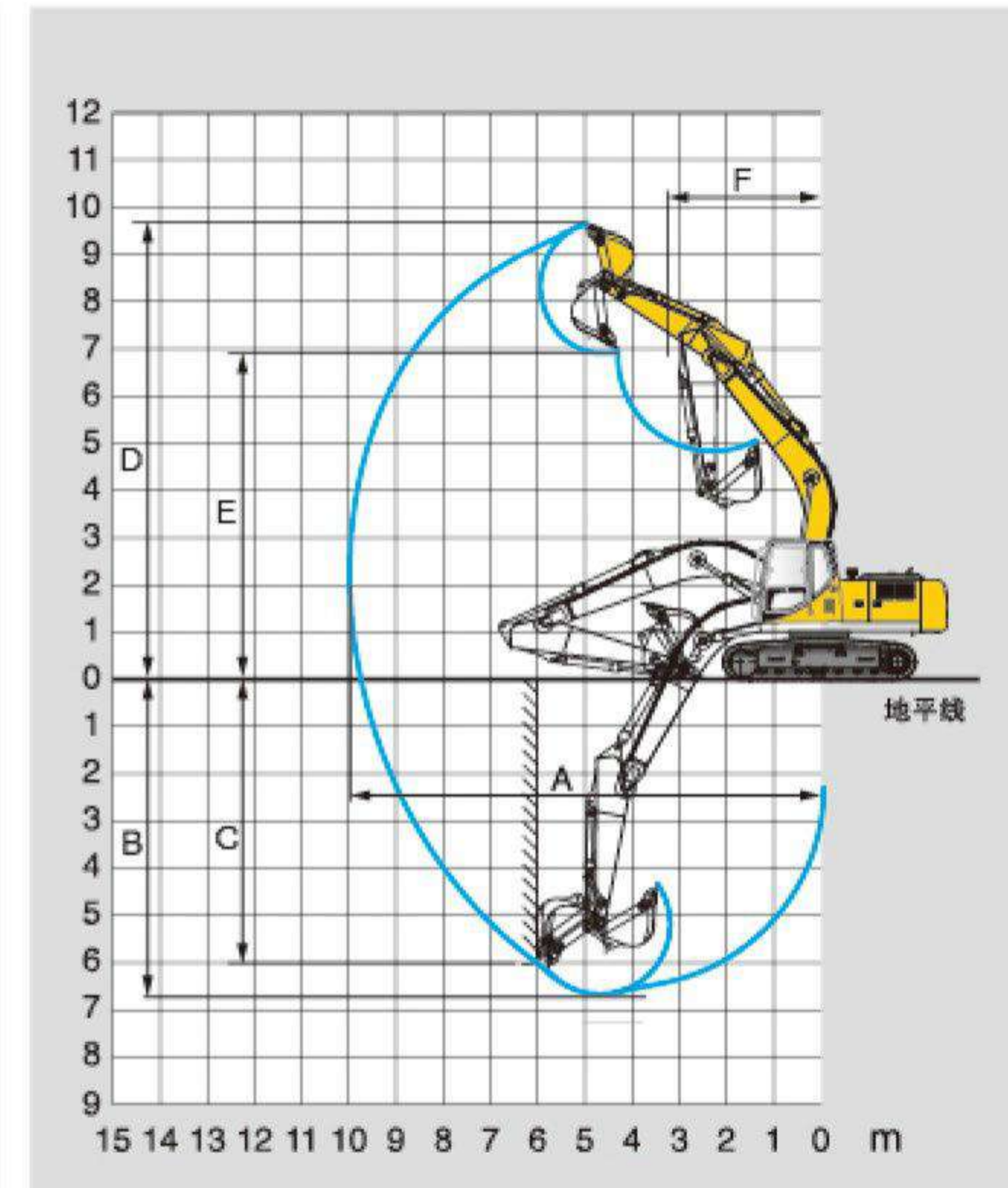
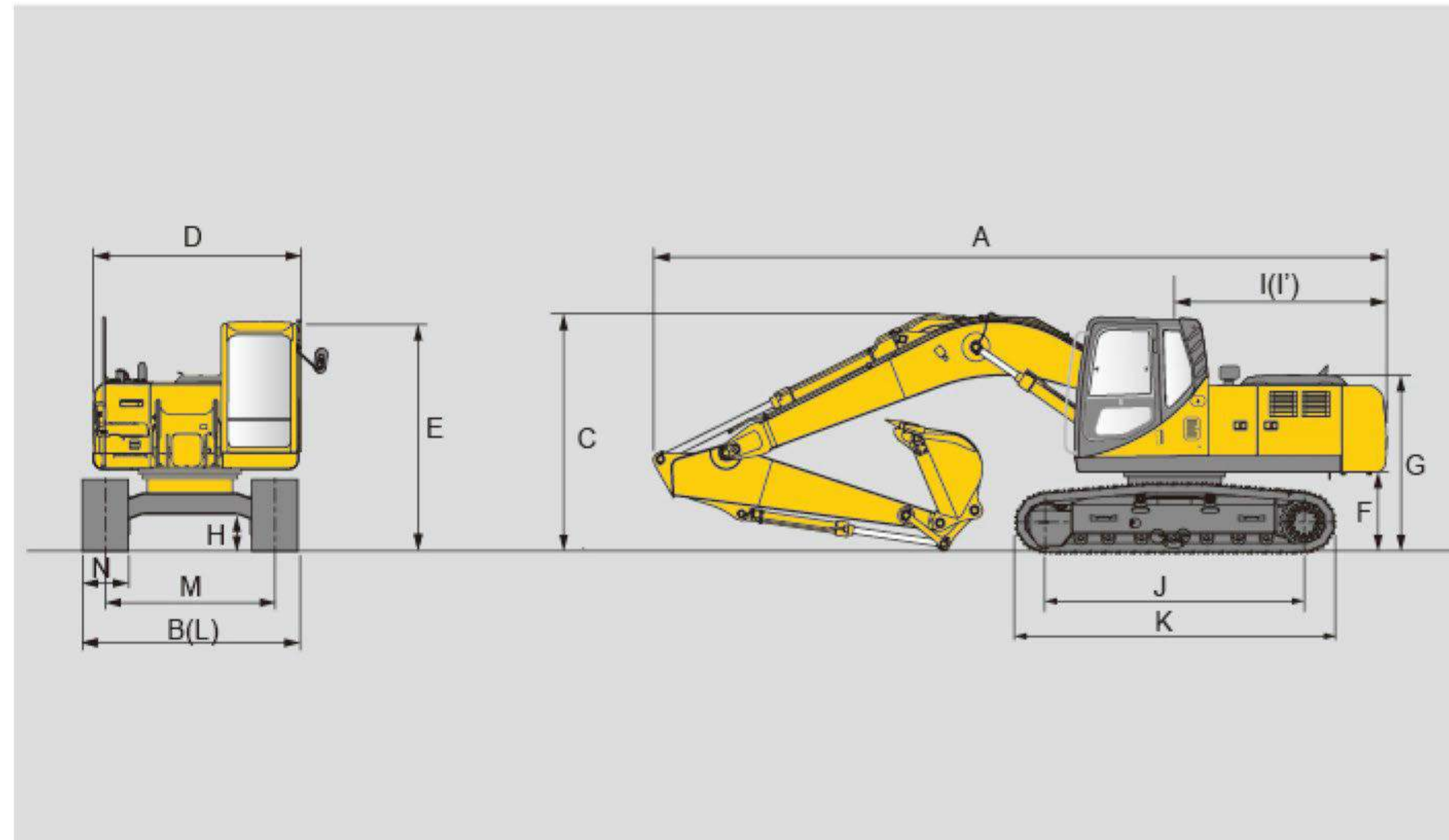


外形尺寸 Dimensions(mm)

作业范围 Working Range



项目 Item	单位 Unit(mm)	项目 Item	单位 Unit(mm)	项目 Item	单位 Unit(mm)
A 整机总长 Overall length	9520	I 转台尾端长度 Length of platform	2800	A 最大挖掘半径 Max. digging reach	9953
B 整机总宽 Overall width	2800	I' 尾端回转半径 Rear swing radius	2800	B 最大挖掘深度 Max. digging depth	6690
C 整机总高(动臂) Overall height of boom	3030	J 履带轴距 Track wheelbase distance	3370	C 最大垂直挖掘深度 Max. vertical wall digging depth	6104
D 转台宽度 Width of platform	2700	K 底盘长度 Chassis length	4160	D 最大挖掘高度 Max. digging height	9642
E 整机总高(驾驶室) Overall height of cab	2958	L 底盘宽度 Chassis width	2800	E 最大卸载高度 Max. dumping height	6813
F 配重离地间隙 Ground clearance of counterweight	1025	M 履带轨距 Track gauge	2200	F 前部最小回转半径 Min. swing radius	3560
G 发动机罩高 Height of engine cover	2338	N 标准履带宽度 standard width of track shoe	600		
H 最小离地间隙 Min. ground clearance	470				



国机重工集团国际装备有限公司

SINOMACH-HI INTERNATIONAL EQUIPMENT CO., LTD.

Add: No.898 West Huang He Road, Changzhou city, Jiangsu Province, China

PC: 213136

Tel: +86 18206118629

Https://www.cnchanglin.com/

E-mail: sales8@changlin.com.cn



液压挖掘机系列 Hydraulic Excavator

ZG210

额定功率 Rated power: 112KW/1950rpm
操作重量 Rated operating weight: 21000kg
铲斗容量 Rated bucket capacity: 1.0m³



国机重工集团国际装备有限公司
SINOMACH-HI International Equipment Co., Ltd.



采用插入式世界顶级品牌空气滤清器滤芯，更换容易，维护时间高达500小时
Adopted with plug-in air filter element of world top brand, easy to replace and maintenance time up to 500 hours



全流量机油过滤器保证燃油喷射，使故障最低，维护时间高达500小时
The full flow oil filter ensures fuel injection, with minimum malfunction and maintenance time up to 500 hours



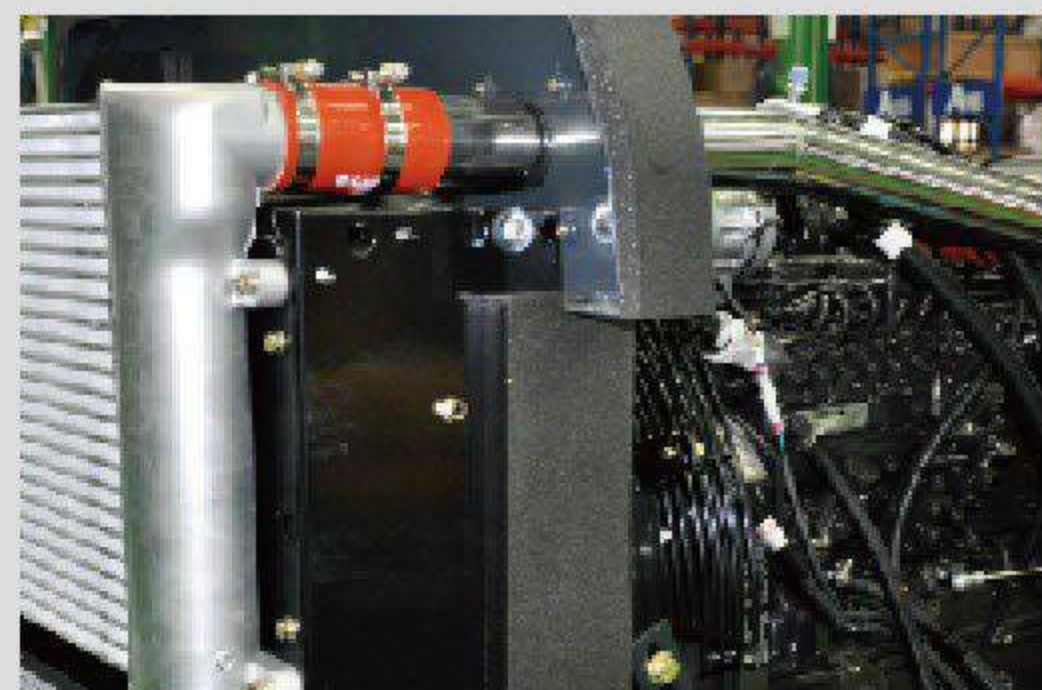
成熟、可靠的负流量、双泵交叉全功率控制液压系统，响应速度更快。

Mature and reliable negative flow, double pump cross full power control hydraulic system, faster response speed.



强劲及精确的回转控制，显著提高精细操作性能。

Strong and accurate rotary control, significantly improve the fine operation performance.



三位一体进气管冷却器，采用不锈钢材料，散热性能更佳。

The Trinity intake pipe cooler is made of stainless steel, which has better heat dissipation performance.



发动机高温保护罩，防止意外烫伤，更安全。

Engine high temperature protection cover, prevent accidental scald, more safe.



方便，低耗的维护保养

- 方便检查，快速清洁的滤清器。
- 液压油滤芯耐久性更强，延长了更换周期。

After-sales

SINOMACH provides specialized technical assistance and original spare parts that are available for you whenever you need them.

坚实，稳定的行走结构

- 加强型箱形侧梁和X型中框架结构，全部采用高强度、低应力合金钢板焊接而成，确保行走架的高强度和整机的稳定性；
- 配以高可靠性的托链轮、支重轮、履带护架，高强度的履带使机器能够承受恶劣工况下的超大负荷引起的冲击；
- 回转平台侧梁采用加大截面高度，提高强度和刚度，精心布置，合理调整整机重心，加强整机工作时的稳定性；

Solid and stable traveling structure

- Whole strengthen box-type side beam and X-type middle frame welded by low stress and high strength steel plate guarantee the high strength of traveling structure and the stability of whole machine.
- High reliability carrying wheels, bearing wheels, track protection framework and high strength track are applied to bear the impact caused by large load in bad working conditions.

规格 Specifications

整机工作重量 Operating weight	21000kg
标准铲斗容量 Standard bucket capacity	1.0m ³
斗杆长度 Arm length	2910mm
动臂长度 Boom length	5680mm

发动机 Engine

型号 Model	CUMMINS 6BTA5.9-C150
型式 Type	涡轮增压中冷 Turbo-charged with inter-cooled
功率 Power	112KW/1950rpm
最大扭矩 Max. torque	614N·m at 1500rpm
气缸数 No. of cylinders	6
排气量 Displacement	5883cc

液压系统 Hydraulic system

主泵 Main pump:	
类型 Type	变量柱塞泵 Variable displacement axial piston pumps
最大排量 Max. displacement	2x112cc/rev
主溢流阀设定压力 Working pressure	35Mpa
液压马达 Hydraulic motor:	
回转 Swing	柱塞定量 Fixed displacement axial piston motor
行走 Travel	柱塞变量 Variable displacement axial piston motors

性能 Performance

回转速度 Swing speed	13.9rpm
最大行走速度高/低 Max. travel speed H/L	5.8/3.3km/h
爬坡能力 Gradeability	35°
铲斗最大挖掘力 Max. digging force of bucket	137kN
斗杆最大挖掘力 Max. digging force of arm	102kN
接地比压 Ground pressure	47kpa

油箱容量 Tank capacity

燃油箱容积 Fuel tank capacity	400L
液压油箱容积 Hydraulic tank capacity	210L

*所有测量数值均为近似值